

fullsuspension

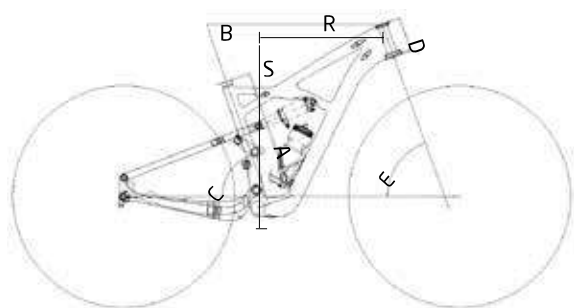
A	B	C	D	E	R	S
xc-carbon 29er						
17"/43 cm	562	75,0°	95	70,0°	385.5	601.5
19"/48 cm	590	74,0°	115	70,0°	411.7	601.8
21"/53 cm	620	73,0°	130	70,0°	415.5	635.5

A	B	C	D	E	R	S
marathon 650b+ / 29er						
16"/41 cm	577	74,0°	95	67,5°	396.0	598.0
17"/44 cm	607	74,0°	95	67,5°	426.0	598.0
19"/48 cm	637	74,0°	105	67,5°	453.0	607.0
21"/53 cm	657	74,0°	115	67,5°	470.0	615.0

A	B	C	D	E	R	S
xc-lady 650b+						
15"/38 cm	540	75,0°	95	68,0°	385.0	578.0
17"/43 cm	570	75,0°	105	68,0°	413.0	587.0
19"/48 cm	600	75,0°	115	68,0°	440.0	596.0

e-bike fullsuspension

A	B	C	D	E	R	S
e-Fully 650b+/29er Steps / Bosch iTube						
17"/43 cm	595	73,9°	120	67,5°	413.1	628.9
19"/48 cm	615	73,9°	130	67,5°	430.9	638.2
21"/54 cm	625	73,9°	140	67,5°	442.4	647.4



hardtail

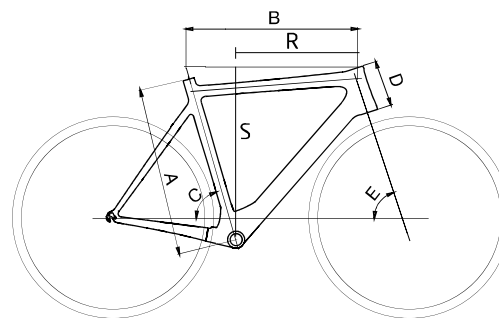
A	B	C	D	E	R	S
premium 29er						
15.5"/40cm	580	72,5°	100	69,5°	387.1	612.0
17.5"/44cm	600	72,5°	105	69,5°	408.0	618.0
19"/48cm	620	72,5°	120	69,5°	419.8	632.1
21"/53cm	640	72,5°	130	69,5°	438.0	640.8

A	B	C	D	E	R	S
comp 29er						
17"/43 cm	590	73,0°	105	71,0°	409.4	626.3
19"/48 cm	615	73,0°	115	71,0°	424.0	636.0
21"/53 cm	640	73,0°	125	71,0°	440.0	646.3

A	B	C	D	E	R	S
comp 650b						
13.5"/34 cm	545	73,0°	105	70,5°	351.5	599.1
15"/38 cm	565	73,0°	115	70,5°	387.7	608.8
17"/43 cm	585	73,0°	125	71,0°	394.5	621.0
19"/48 cm	605	73,0°	135	71,0°	411.6	631.3
21"/53 cm	620	73,0°	150	71,0°	421.7	643.5

e-bike hardtail

A	B	C	D	E	R	S
e-Pro iTube 650b+ / 29er Steps						
17"/44 cm	605	73,0°	115	68,0°		
19"/48 cm	625	73,0°	125	68,0°		
21"/54 cm	645	73,0°	135	68,0°		



- A = Grösse | grandeur
- B = Oberrohrlänge | longueur
- C = Sitzwinkel | inclination selle
- D = Steuerrohrlänge | longueur tube direction
- E = Steuerwinkel | inclination direction
- R = Reach
- S = Stack

Alle Höhen Mitte Tretlager bis Ende Sitzrohr gemessen, alle Längenangaben in Millimeter, alle Winkel in Grad, alles unverbindliche Angaben

Tailles moitié axe - fin tube selle, longueurs en millimètres, toutes les inclinations en degrés, toutes les données sans engagement

road / road disc

A	B	C	D	E	R	S
premium / premium disc						
XS/46 cm	513	75,0°	110	71,0°	375.0	507.0
S/49 cm	532	74,0°	127	72,0°	381.0	526.0
M/52 cm	548	73,5°	146	72,5°	387.0	545.5
L/55 cm	569	73,0°	169	73,0°	394.5	570.0
XL/58 cm	586	73,0°	197	73,5°	403.0	598.0

pro (5.5-7.5 cm sloping)

S/47.5 cm (55)	530	74,0°	150	71,5°	372.4	546.0
M/50 cm (57)	545	73,5°	165	72,5°	377.0	567.0
L/52 cm (58.5)	565	73,0°	180	72,5°	387.0	580.0
XL/54.5 cm (60)	580	73,0°	200	72,5°	397.0	597.0

comp (3 cm sloping)

XXS/41 cm (44)	505	74,5°	115	71,0°	367.0	494.0
XS/46 cm (49)	518	74,5°	125	71,5°	372.3	505.0
S/49 cm (52)	538	74,0°	130	73,0°	385.0	527.0
M/51 cm (54)	549	73,5°	145	73,0°	387.0	548.0
L/53 cm (55)	565	73,3°	170	73,5°	392.8	574.0
XL/55 cm (58)	582	73,0°	205	73,5°	398.0	606.0

aero disc (3 cm sloping)

XS/44 cm (47)	515	75,0°	105	71,5°	381.0	501.0
S/47 cm (50)	536	74,0°	120	72,5°	386.0	523.0
M/50 cm (53)	548	73,5°	140	73,0°	387.0	544.0
L/53 cm (56)	565	73,3°	160	73,5°	395.0	565.0
XL/56 cm (59)	587	73,0°	180	73,5°	408.0	584.0

road disc

XS/48 cm	520	74,5°	102	72,5°	379.0	510.0
S/50 cm	535	74,0°	120	73,0°	385.0	523.0
M/52 cm	550	74,0°	140	73,0°	389.0	544.0
L/54 cm	560	73,5°	160	73,0°	390.0	563.0
XL/56 cm	575	73,0°	178	73,5°	397.0	582.0

cross disc

XS/47 cm	515	75,0°	110	70,0°	372.4	
S/50 cm	530	74,0°	120	70,5°	373.2	
M/53 cm	545	73,5°	130	71,0°	379.7	
L/56 cm	562	73,25°	150	71,5°	387.7	
XL/59 cm	580	73,0°	170	72,0°	396.6	

gravel

XS/49 cm	520	74,0°	115	71,5°	366.0	538.0
S/52 cm	545	73,5°	130	71,5°	381.0	551.0
M/54 cm	555	73,0°	145	71,5°	381.0	570.0
L/58 cm	580	73,0°	160	71,5°	403.0	580.0

e-bike road

e-premium iTube disc fazua

S/45 cm	525	75,0°	130	71,5°	378.4	539.9
M/49 cm	547	74,0°	150	72,0°	385.1	560.7
L/53 cm	568	73,5°	176	72,5°	393.5	587.2

Tour/city

A	B	C	D	E
tour des alpes				
S/48 cm	530	73,5°	130	71,5°
M/52 cm	550	73,0°	150	72,0°
L/56 cm	570	73,0°	170	72,0°
XL/60 cm	590	72,5°	190	72,5°

street speed 650b/28er

17"/43 cm	560	73,0°	150	70,0°
19"/48 cm	580	73,0°	160	70,0°
21"/53 cm	600	73,0°	170	70,0°

adventure Race lady/man

44 cm Lady	540	74,5°	140	70,5°
48 cm Lady	555	74,0°	155	71,0°
52 cm Lady	570	73,5°	170	71,5°
48 cm Man	560	74,0°	150	71,0°
52 cm Man	575	73,5°	165	71,5°
56 cm Man	590	73,5°	180	71,0°
60 cm Man	610	73,0°	200	72,0°

e-bike Tour/city

e-xpress unisex Steps

44 cm	555	73,0°	150	69,0°
48 cm	570	73,0°	160	69,0°
52 cm	585	73,0°	180	69,0°

e-xpress lady Steps

44 cm	550	74,5°	145	69,0°
48 cm	565	73,0°	155	69,0°
52 cm	580	73,0°	165	69,0°

e-speed Steps

17"/44 cm	560	73,0°	150	70,0°
19"/48 cm	580	73,0°	160	70,0°
21"/52 cm	600	73,0°	170	70,0°

e-xpress unisex Bosch / Bosch iTube

44 cm	560	73,0°	150	69,0°
48 cm	565	73,0°	160	69,0°
52 cm	575	73,0°	180	69,0°

e-xpress lady/man Bosch

44 cm Lady	550	74,5°	145	69,0°
48 cm Lady	560	73,0°	155	69,0°
52 cm Lady	570	73,0°	165	70,0°
50 cm Man	570	73,0°	125	70,0°
54 cm Man	580	73,0°	145	70,0°
58 cm Man	590	73,0°	170	71,0°

e-speed Bosch / Bosch iTube

17"/43 cm	560	73,0°	150	70,0°
19"/48 cm	580	73,0°	160	70,0°
21"/53 cm	600	73,0°	170	70,0°