

fullsuspension

A	B	C	D	E
xc-carbon 650b+ / 29er				
17"/43 cm	562	75,0°	95	70,0°
19"/48 cm	590	74,0°	115	70,0°
21"/53 cm	620	73,0°	130	70,0°

am carbon 650b				
15,5"/40 cm	580	74,0°	100	67,5°
17,5"/44 cm	600	74,0°	110	67,5°
19"/48 cm	620	74,0°	120	68,0°

marathon 650b				
15"/38 cm	565	73,5°	110	69,0°
17"/43 cm	585	73,5°	120	69,0°
19"/48 cm	600	73,5°	130	69,0°
21"/53 cm	610	73,5°	145	69,0°

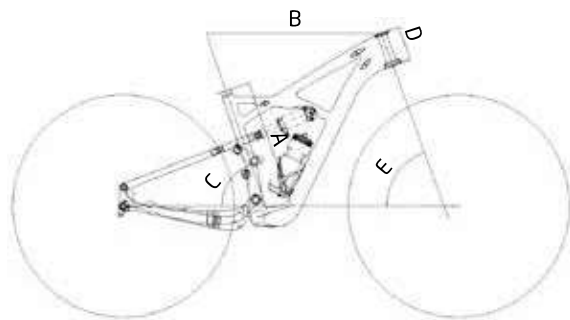
all mountain 650b+				
17"/43 cm	600	74,00°	110	67,5°
19"/48 cm	620	74,00°	120	67,5°
21"/53 cm	640	74,00°	135	67,5°

xc-lady 650b				
15"/38 cm	550	73,5°	115	70,0°
17"/43 cm	570	73,5°	125	70,0°
19"/48 cm	585	73,5°	140	70,0°

xc 29er				
17"/43 cm	595	73,3°	115	70,5°
19"/48 cm	610	73,3°	125	70,5°
21"/53 cm	625	73,2°	140	70,5°

e-bike fullsuspension

e-Fully STePS 650b+				
44 cm	595	74,0°	120	67,5°
48 cm	615	74,0°	130	67,5°
52 cm	625	74,0°	145	67,5°



Alle Höhen Mit te Tretlager bis Ende Sitzrohr gemessen, alle Längenangaben in Millimeter, alle Winkel in Grad, alles unverbindliche Angaben

hardtail

A	B	C	D	E
premium 650b+ / 29er				
15,5"/40cm	580	72,5°	100	69,5°
17,5"/44cm	600	72,5°	105	69,5°
19"/48cm	620	72,5°	120	69,5°
21"/53cm	640	72,5°	130	69,5°

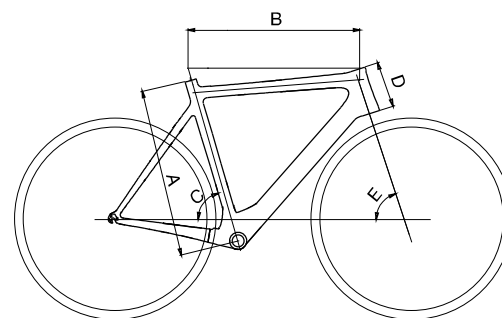
pro 650b+ / 29er				
17"/43 cm	600	74,4°	105	70,0°
19"/48 cm	620	73,9°	115	70,0°
21"/53 cm	640	73,4°	125	70,0°

comp 29er				
17"/43 cm	600	73,0°	105	71,0°
19"/48 cm	620	73,0°	115	71,0°
21"/53 cm	640	73,0°	125	71,0°

comp 650b				
13,5"/34 cm	545	73,0°	105	70,5°
15"/38 cm	565	73,0°	115	70,5°
17"/43 cm	585	73,0°	125	71,0°
19"/48 cm	605	73,0°	135	71,0°
21"/53 cm	620	73,0°	150	71,0°

e-bike hardtail

e-Pro STePS 650b+ / 29er				
44 cm	605	73,0°	105	68,0°
48 cm	625	73,0°	115	68,0°
52 cm	645	73,0°	125	68,0°



A = Grösse | grandeur
 B = Oberrohrlänge | longueur
 C = Sitzwinkel | inclination selle
 D = Steuerrohrlänge | longueur tube direction
 E = Steuerwinkel | inclination direction

Tailles moitié axe – fin tube selle, longueurs en millimètres, toutes les inclinations en degrés, toutes les données sans engagement

road

A	B	C	D	E
premium				
XS/46 cm	513	75,0°	110	71,0°
S/49 cm	532	74,0°	126	72,0°
M/52 cm	548	73,5°	145	72,5°
L/55 cm	568	73,0°	169	73,0°
XL/58 cm	585	73,0°	196	73,5°

A	B	C	D	E
pro				
S/50 cm	525	74,5°	115	72,0°
M/53 cm	537	74,5°	145	73,0°
L/55 cm	553	73,5°	160	73,0°
XL/58 cm	572	73,0°	185	73,0°

A	B	C	D	E
comprace (4 cm sloping)				
S/46 cm	525	75,0°	105	72,0°
M/49 cm	540	74,5°	125	72,5°
L/52 cm	555	73,75°	145	73,0°
XL/55 cm	570	73,0°	170	73,5°
XXL/58 cm	585	73,0°	195	74,0°

A	B	C	D	E
lady (4 cm sloping)				
XS/44 cm	500	75,0°	115	71,0°
S/48 cm	515	74,5°	130	72,0°
M/52 cm	535	74,0°	150	72,5°

A	B	C	D	E
premium disc				
XS/50 cm	520	74,5°	130	72,0°
S/52 cm	530	73,5°	135	72,0°
M/54 cm	540	73,0°	145	72,0°
L/56 cm	555	73,0°	160	72,0°
XL/58 cm	575	73,0°	170	72,0°

A	B	C	D	E
road disc				
XS/50 cm	520	74,5°	102	72,5°
S/52 cm	535	74,0°	120	73,0°
M/54 cm	550	74,0°	140	73,0°
L/56 cm	560	73,5°	160	73,0°
XL/58 cm	575	73,0°	178	73,5°

A	B	C	D	E
cross disc				
XS/47 cm	510	74,0°	105	72,0°
S/50 cm	525	74,0°	105	72,0°
M/53 cm	535	73,5°	120	72,0°
L/56 cm	545	73,5°	140	72,0°
XL/59 cm	565	73,5°	160	72,0°

tour/city

A	B	C	D	E
tour des alpes				
S/48 cm	530	73,5°	130	71,5°
M/52 cm	550	73,0°	150	72,0°
L/56 cm	570	73,0°	170	72,0°
XL/60 cm	590	72,5°	190	72,5°

tour/city

A	B	C	D	E
adventure Race lady/man				
44 cm Lady	530	74,5°	134	70,5°
48 cm Lady	540	74,0°	150	71,0°
52 cm Lady	550	73,5°	165	71,5°
48 cm Man	545	74,0°	150	71,0°
52 cm Man	560	73,5°	165	71,5°
56 cm Man	575	73,5°	180	71,0°
60 cm Man	590	73,0°	200	72,0°

A	B	C	D	E
adventure lady/man				
44 cm Lady	550	74,5°	130	69,0°
48 cm Lady	560	73,0°	145	69,0°
52 cm Lady	570	73,0°	160	70,0°
56 cm Lady	580	73,0°	170	71,0°
46 cm Man	550	74,5°	115	69,0°
50 cm Man	570	73,0°	125	70,0°
54 cm Man	580	73,0°	145	70,0°
58 cm Man	590	73,0°	170	71,0°
62 cm Man	600	73,0°	195	71,0°

A	B	C	D	E
street speed 650b				
15"/38cm	530	73,0°	135	71,0°
17"/43 cm	550	73,0°	150	71,0°
19"/48 cm	575	73,0°	170	71,0°
21"/53 cm	598	73,0°	190	71,0°

e-bike Tour/City

A	B	C	D	E
e-xpress lady/man Bosch				
44 cm Lady	550	74,5°	130	69,0°
48 cm Lady	560	73,0°	145	69,0°
52 cm Lady	570	73,0°	160	70,0°
50 cm Man	570	73,0°	125	70,0°
54 cm Man	580	73,0°	145	70,0°
58 cm Man	590	73,0°	170	71,0°

A	B	C	D	E
e-xpress unisex STePS/ Bosch				
44 cm	560	73,0°	150	69,0°
48 cm	565	73,0°	160	69,0°
52 cm	575	73,0°	180	69,0°

A	B	C	D	E
e-speed STePS				
43 cm	560	73,0°	165	71,0°
48 cm	580	73,0°	170	71,0°
53 cm	600	73,0°	190	71,0°

A	B	C	D	E
e-speed Bosch				
43 cm	560	73,0°	150	70,0°
48 cm	580	73,0°	160	70,0°
53 cm	600	73,0°	170	70,0°